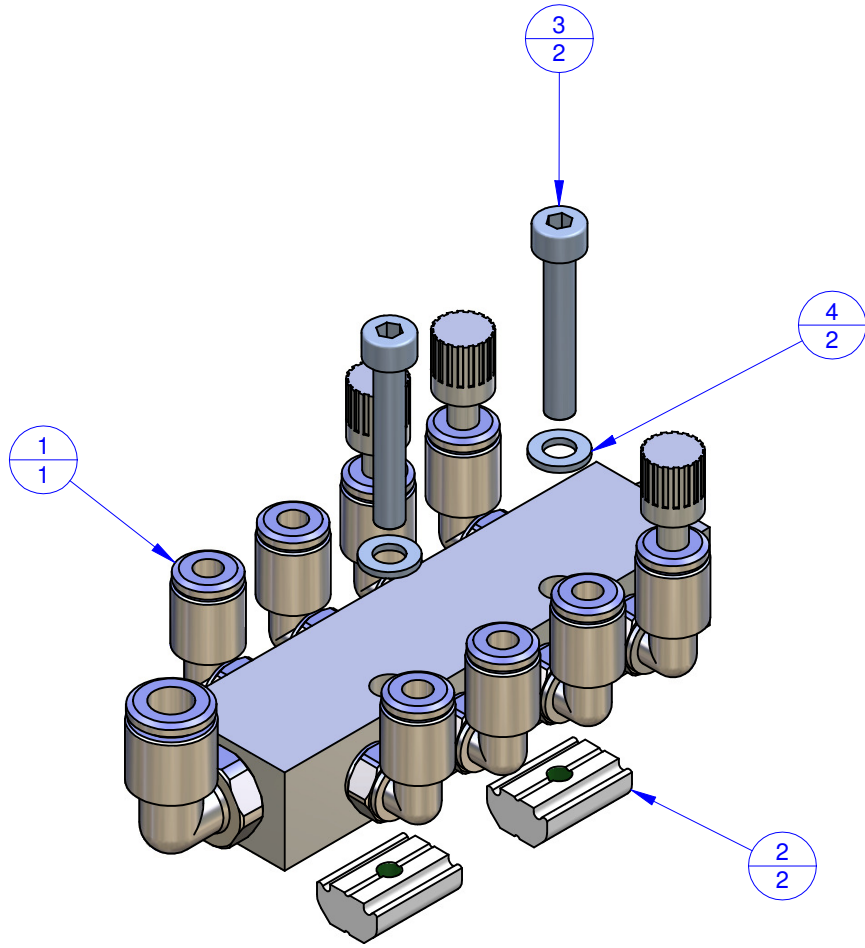


THE PROPERTY OF THIS DRAWING IS ESTABLISHED BY LAW  
IT IS FORBIDDEN TO REPRODUCE IT OR SHOW IT TO THIRD PARTY  
WITHOUT A WRITTEN AGREEMENT.

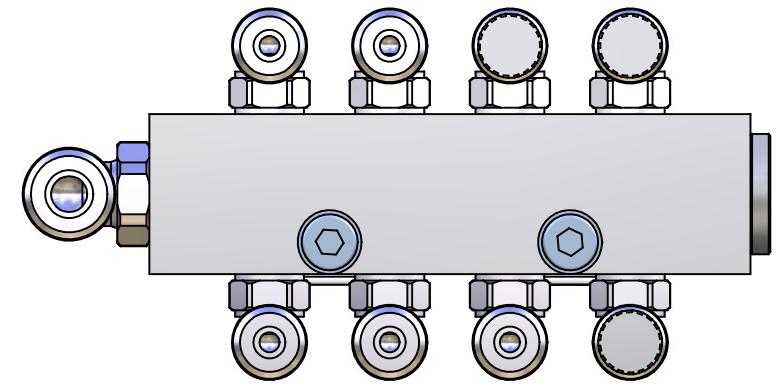
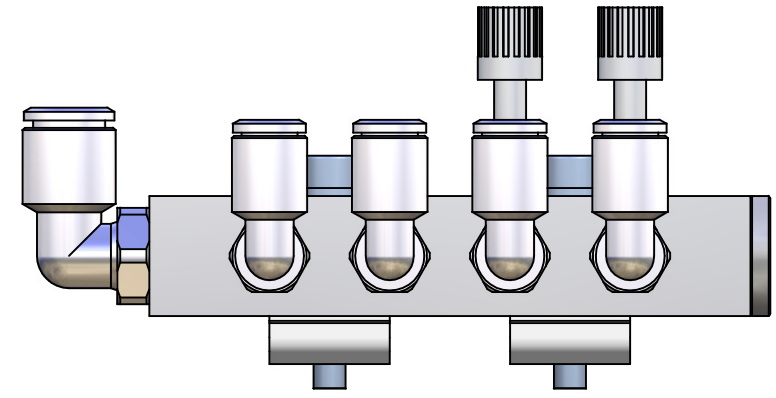
MODIFICATIONS: \_\_\_\_\_  
 (7) (8) (9)  
 VARIED DIMENSIONS AS OF DATE: \_\_\_\_\_  
 (10) (11) (12)

MODIFICATIONS: \_\_\_\_\_  
 (1) (2) (3)  
 VARIED DIMENSIONS AS OF DATE: \_\_\_\_\_  
 (4) (5) (6)

Format **A3**  
 UNI 936-76



Object Number	Name	QTY
1	KIT.13.02.003	1
2	CA.GWP.4U	2
3	V.TCE M4X25	2
4	R,4	2



<b>FP Services</b> <small>GENERAL TOLERANCE: UNI - ISO 2768 CLASSE f</small>	<small>DESCRIPTION</small>	<small>DESIGNED FROM</small> FPSERVICES
		<small>DATE</small> 01/2014
<small>WEIGHT</small> 0,000 kg		<small>CODE</small> <b>KIT.13.02.003.X</b>

